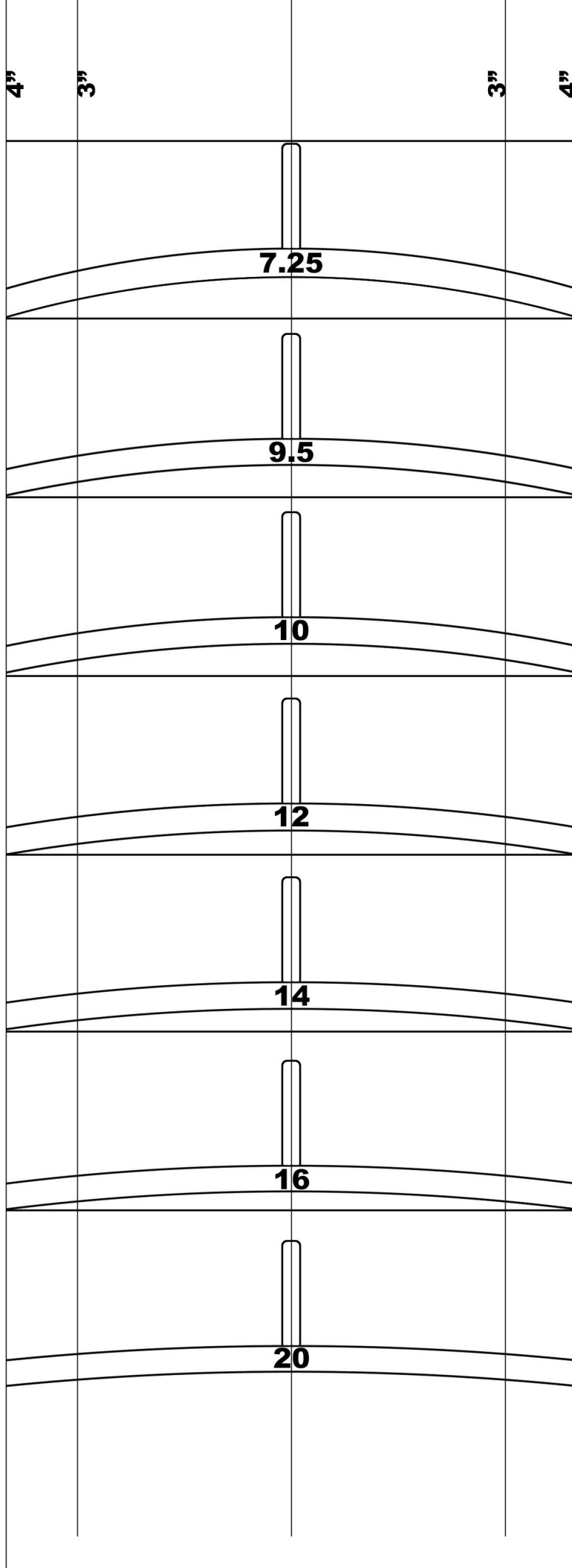


**print on heavy cardstock \* make sure your printer is not scaling the image in any way  
cut the sides at the 3" lines first \* For a more sturdy gauge only cut the bottom curves  
If you would like to check understring radius curves cut both top and bottom curves and the "handle"**



**Use the 4" width for extra fat basses!  
Use for determining your neck radius, setting string saddle heights, and pickup polepiece heights**

**Radius gauge templates by Zuma - <http://www.zumaz.com>  
fashioned after the Stewart-MacDonald Understring Radius Gauges  
[ this document is provided as is \* not responsible for accuracy or misuse ]**